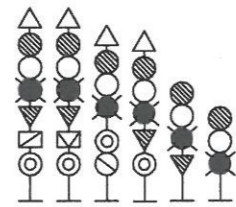


LEGENDA
LEGEND



SEMNALE DE CIRCULATIE
MAIN SIGNALS

●●○ FOC ROSU / GALBEN / VERDE / ALB / ALBASTRU / INDICATOR DE CIRCULATIE PE STANGA
○●○ INDICATOR DE DIRECTIE
DIRECTION INDICATOR

□ DIRECTION INDICATOR FOR THE LEFT TRACK OF DOUBLE LINE
INDICATOR DE DIRECTIE SI PENTRU CIRCULATIA PE FIRUL DIN STANGA CAII DUBLE

□ DIRECTION AND DEPARTURE ON THE LEFT TRACK ON THE DOUBLE RAILWAY INDICATOR

□ INDICATOR "LIPSA DISTANTA DE FRANARE"
"LACK OF BRAKING DISTANCE" INDICATOR

△ INDICATOARE DE VITEZA
SPEED INDICATORS

○●● SEMNALE DE MANEVRA
SHUNTING SIGNALS

○●● SEMNALE REPETITOARE
REPEATER SIGNALS

□ OPRITOR
BUFFER STOP

□ SEMNAL AVERTIZARE RUTIERA CU SEMIBARIERA
ROAD TRAFFIC WARNING SIGNAL WITH HALF BARRIER

□ EQUIPMENT BOX FOR INDUSI
CUTIE ECHIPAMENT PENTRU INDUSI

0.5:1/2 INDUCTOR INDUSI 500HZ SAU 1000/2000HZ
500HZ OR 1000HZ/2000HZ INDUSI INDUCTOR

□ DISTRIBUTOR DE CABLURI
DISTRIBUTOR BOX

□ LEGATURA ECHIPOTENTIALA
EQUIPOTENTIAL CONNECTION

□ P.C. POST CENTRALIZARE
INTERLOCKING POST

□ TERMINAL DE CABLU
CABLE TERMINAL

□ PRIZA DE PAMANT
EARTH PLATE

4Ω

141-100m
Cablul ecranat

NUMARUL CABLULUI
CABLE NUMBER

NUMARUL DE CONDUCTOARE
TOTAL NUMBER OF WIRES

SECTIUNEA CONDUCTORULUI
WIRE CROSS SECTION

CODUCTOARE DE REZERVA
SPARE WIRES

LUNGIMEA CABLULUI
LENGTH OF CABLE

TIPUL CABLULUI
CABLE TYPE

Indice Index	Data Date	Descriere Description	Semnatura Signature	Semnatura Signature	Semnatura Signature	Semnatura Signature
Modificare / Revision	E					
	D					
	C					
	B					
	A					

	 MINISTERUL TRANSPORTURILOR	
	BENEFICIAR / BENEFICIARY : COMPANIA NAȚIONALĂ DE CĂI FERATE "CFR" SA	

PROIECTANT / DESIGNER:		Data / Date	Semnatura Signature
------------------------	--	-------------	------------------------

Aprobat Approved	Sef de echipa Team leader	C. Teodorescu	01.2013	
Verificat Checked	Expert Cheie Key Expert	R. Trommer	01.2013	

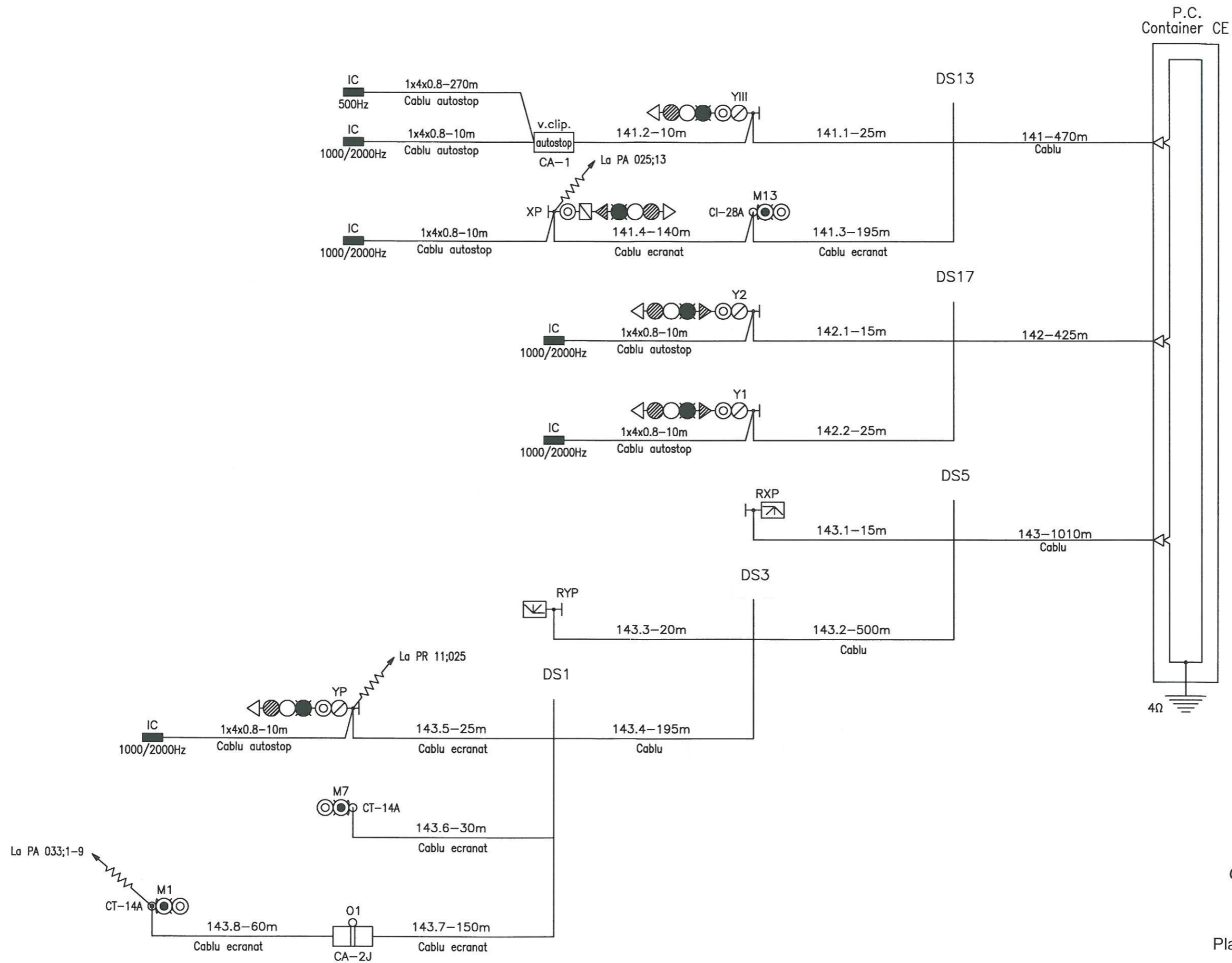
Subcontractant / Subcontractor				
--------------------------------	--	--	--	--

Aprobat Approved	Adjunct Sef de echipa Deputy Team leader	A.M. Baicu	01.2013	
Proiectat Designed	Inginer Engineer	A. Sopov	01.2013	

"Reabilitarea liniei c.f. Frontieră - Curtici - Simeria, parte componentă a coridorului IV Pan - European pentru circulația trenurilor cu viteză maximă de 160 km/h" Tronsonul 3 : Gurasada - Simeria	Project 9i 35311.1
"Rehabilitation of the Railway Line Border - Curtici - Simeria, component Part of the IV Pan - European Corridor for the Trains Circulation with maximum speed of 160 km/h" Section 3 : Gurasada - Simeria	

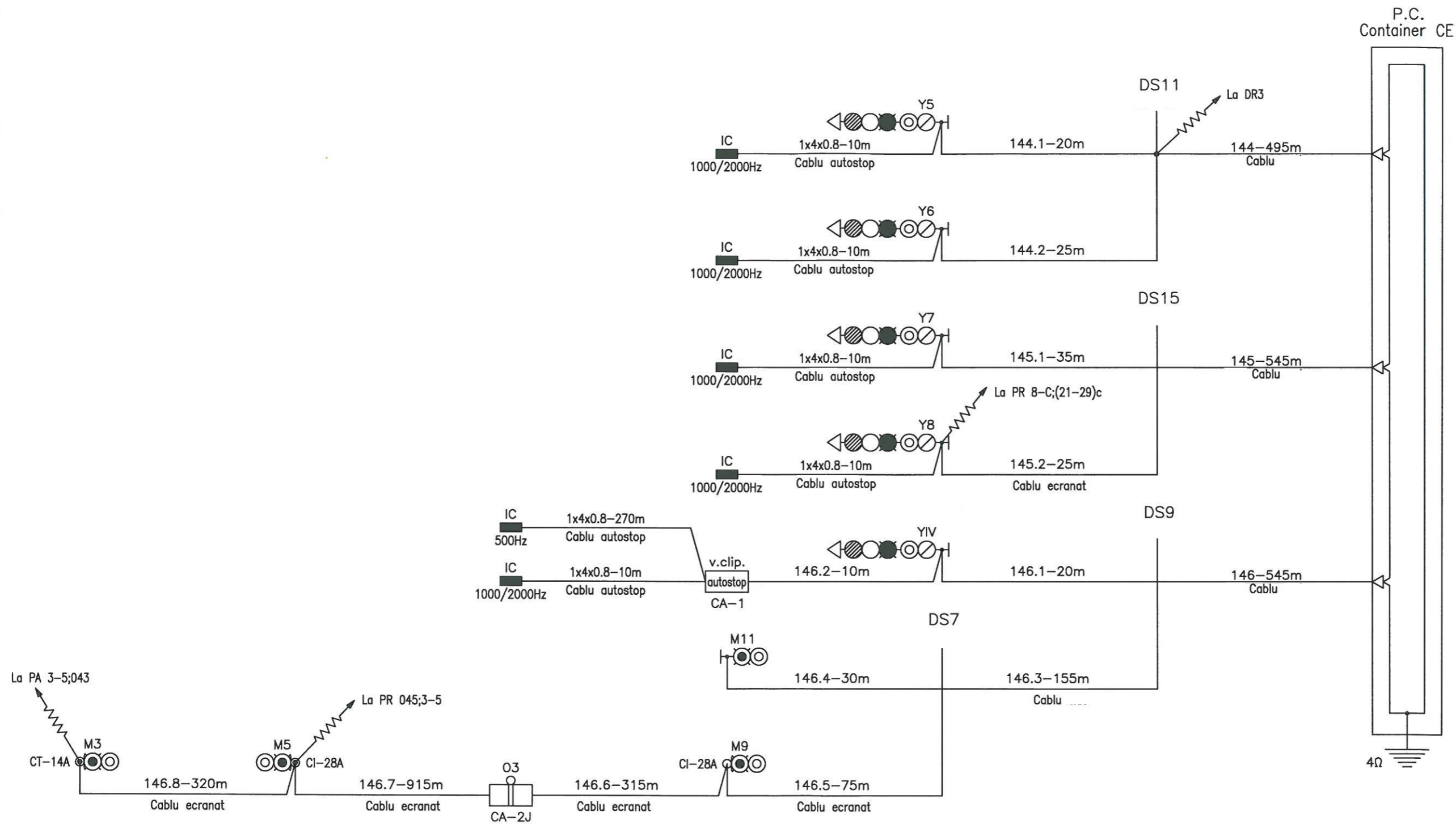
Denumire desen / Drawing Title :	Plan cablaj semnale - Stația MINTIA / MINTIA station - Cable sketch for signals		
----------------------------------	--	--	--

Scara / Scale	Revizia / Revision	Cod desen / Drawing Code	Nr / No
-	1/16.05.2013	PT.03.04.24.SM.016	01/10



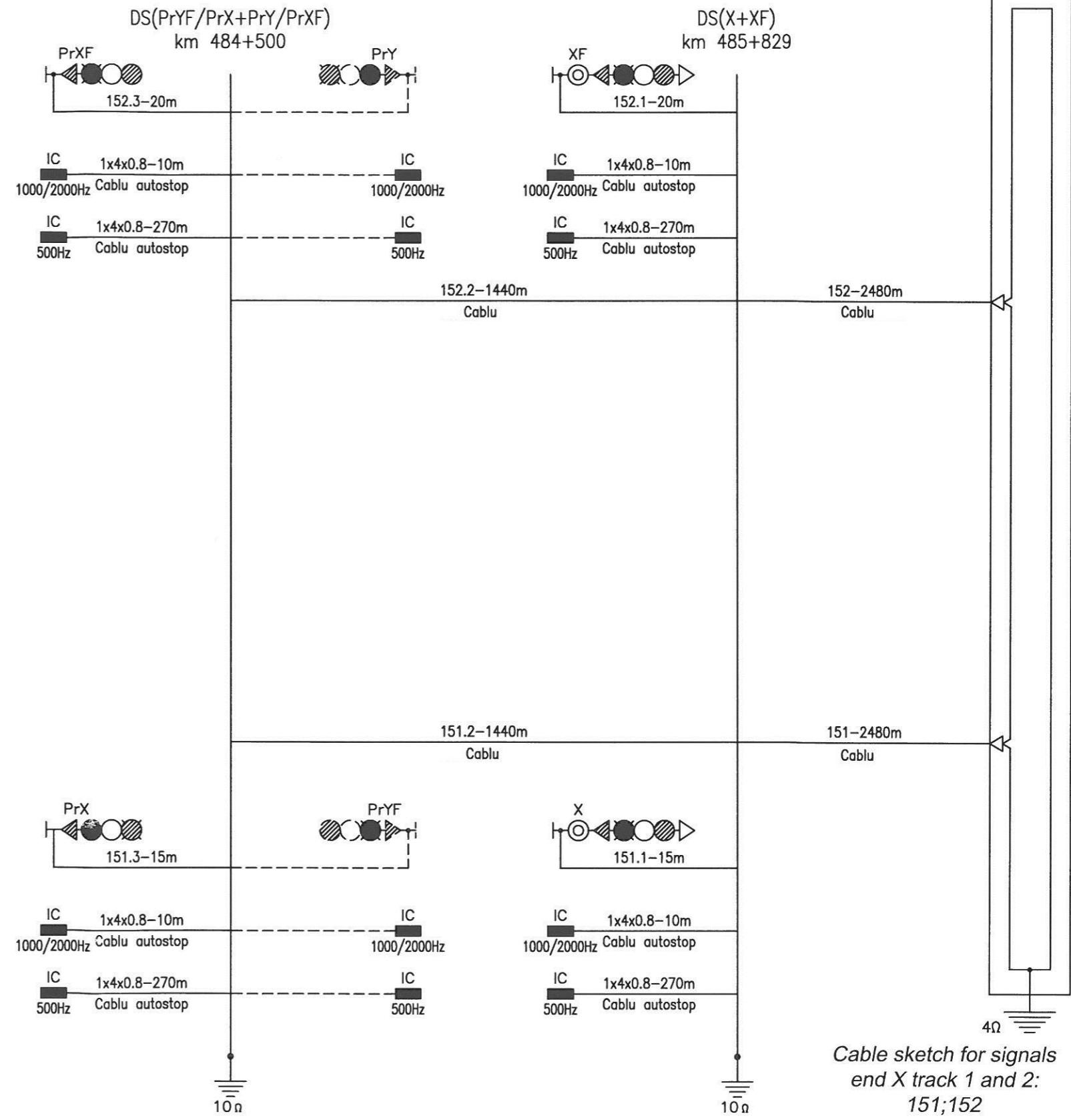
Cable sketch for signals
end X track 1:
141; 142; 143

Plan de cablaj al semnalelor
cap X firul 1:
141; 142; 143



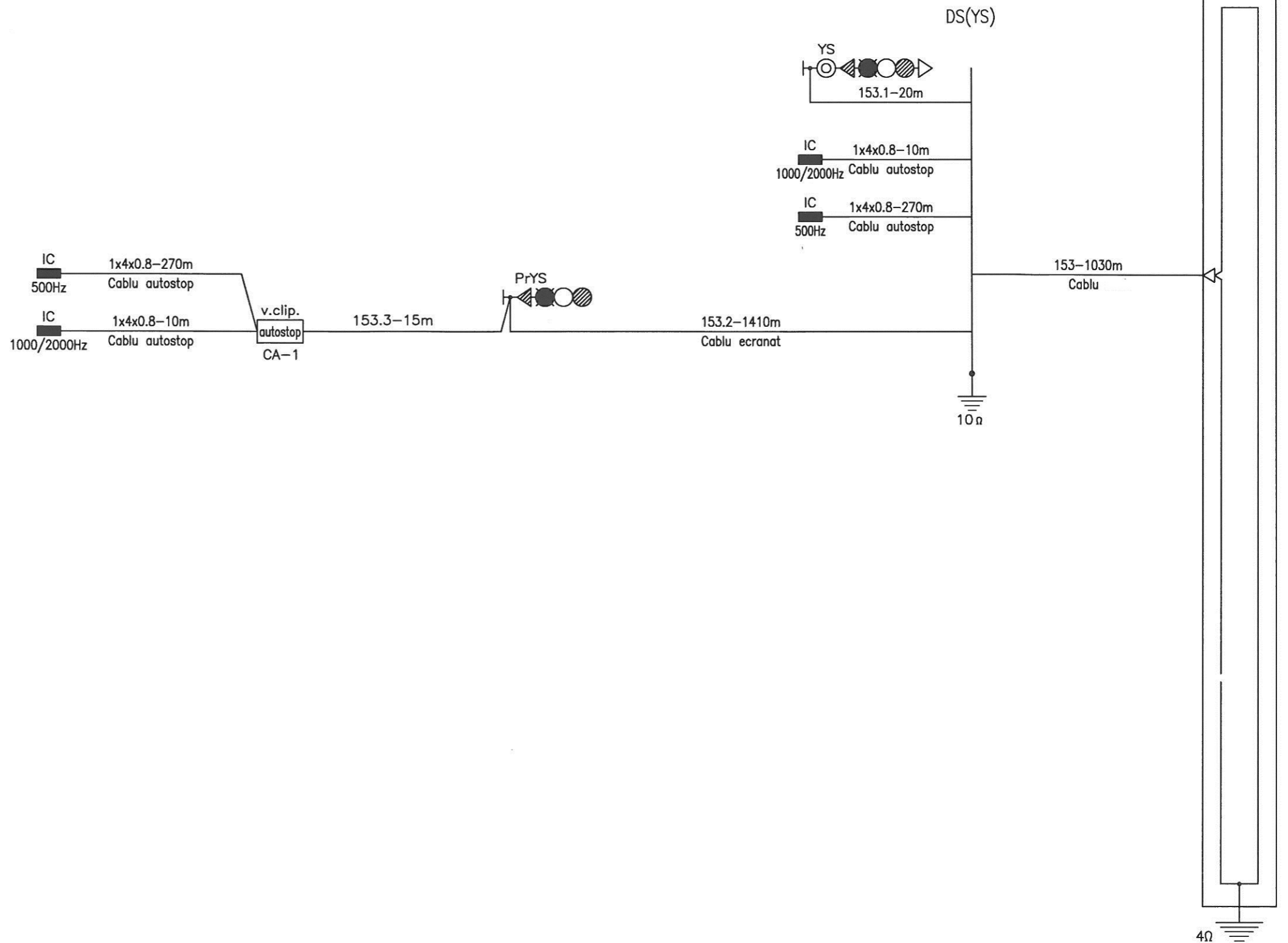
Cable sketch for signals
end X track 2:
144; 145; 146

Plan de cablaj al semnalelor
cap X firul 2:
144; 145; 146



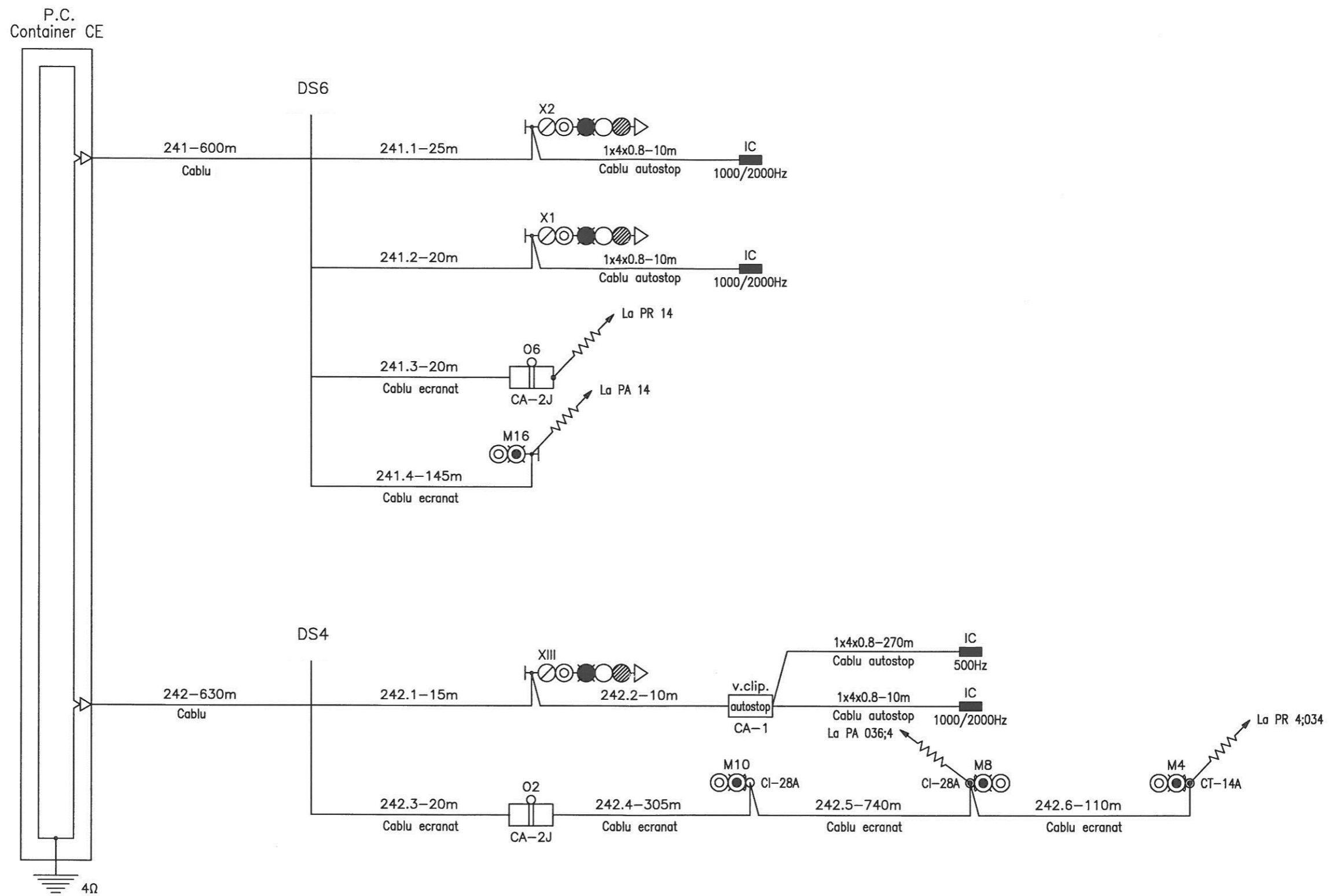
Plan de cablaj al semnalelor cap X firul 1 si 2: 151;152

P.C.
Container CE
km 488+016



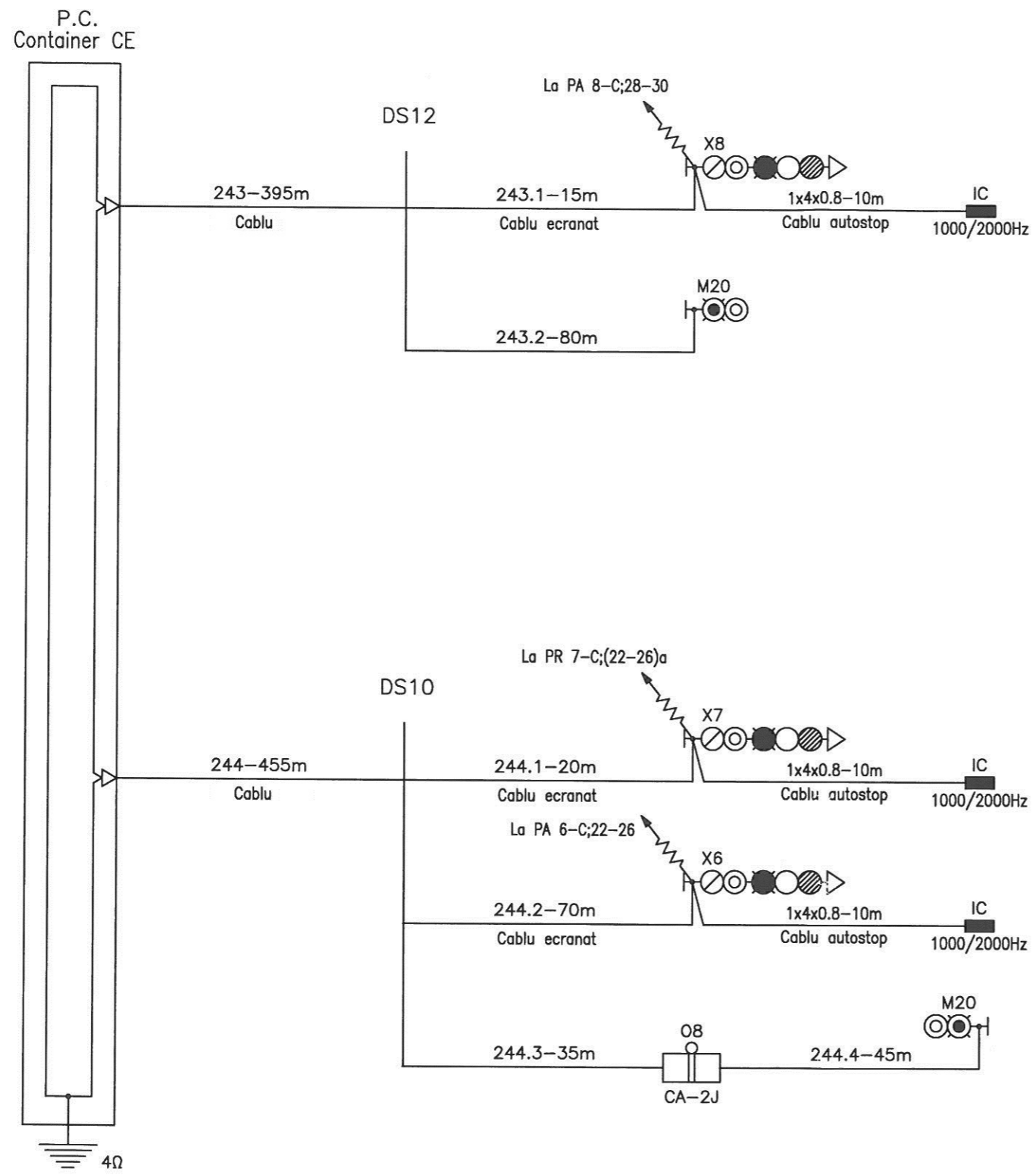
Cable sketch for signals
end X track 1 and 2:
151;152

Plan de cablaj al semnalelor
cap X firul 1 si 2:
151;152



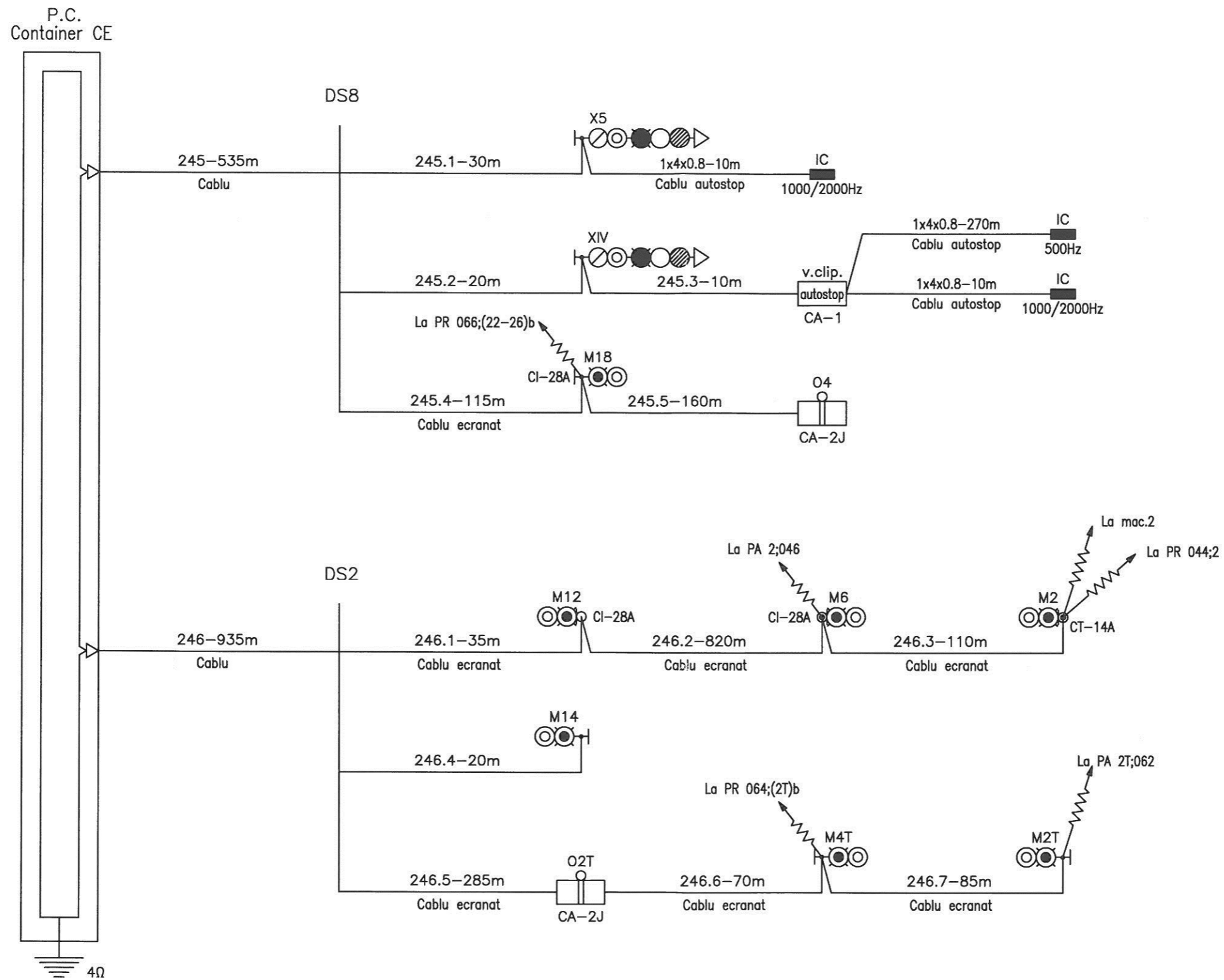
Cable sketch for signals
end Y track 1:
241; 242

Plan de cablaj al semnalelor
cap Y firul 1:
241; 242



Cable sketch for signals
 end Y track 2:
 243; 244

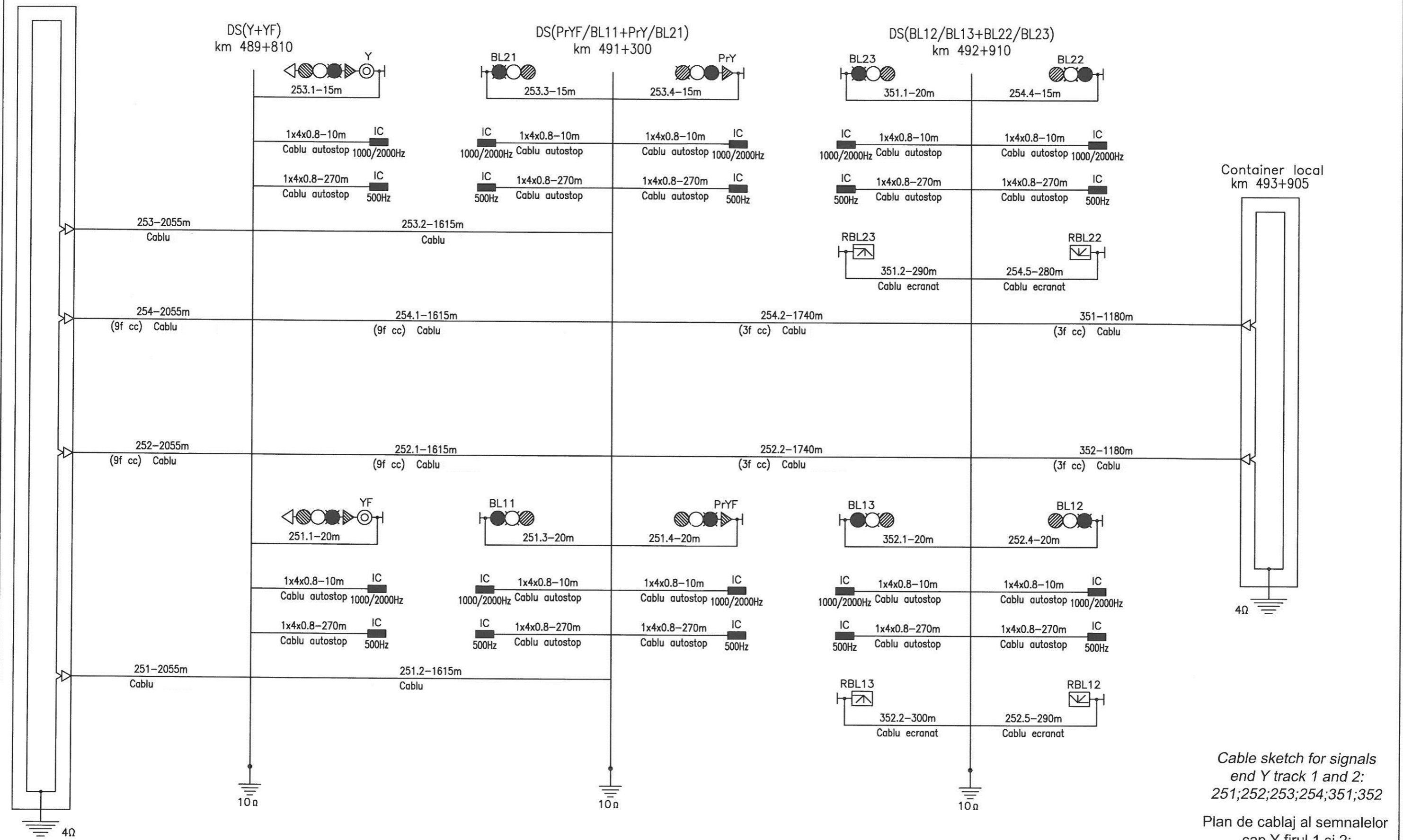
Plan de cablaj al semnalelor
 cap Y firul 2:
 243; 244



Cable sketch for signals
end Y track 2:
245; 246

Plan de cablaj al semnalelor
cap Y firul 2:
245; 246

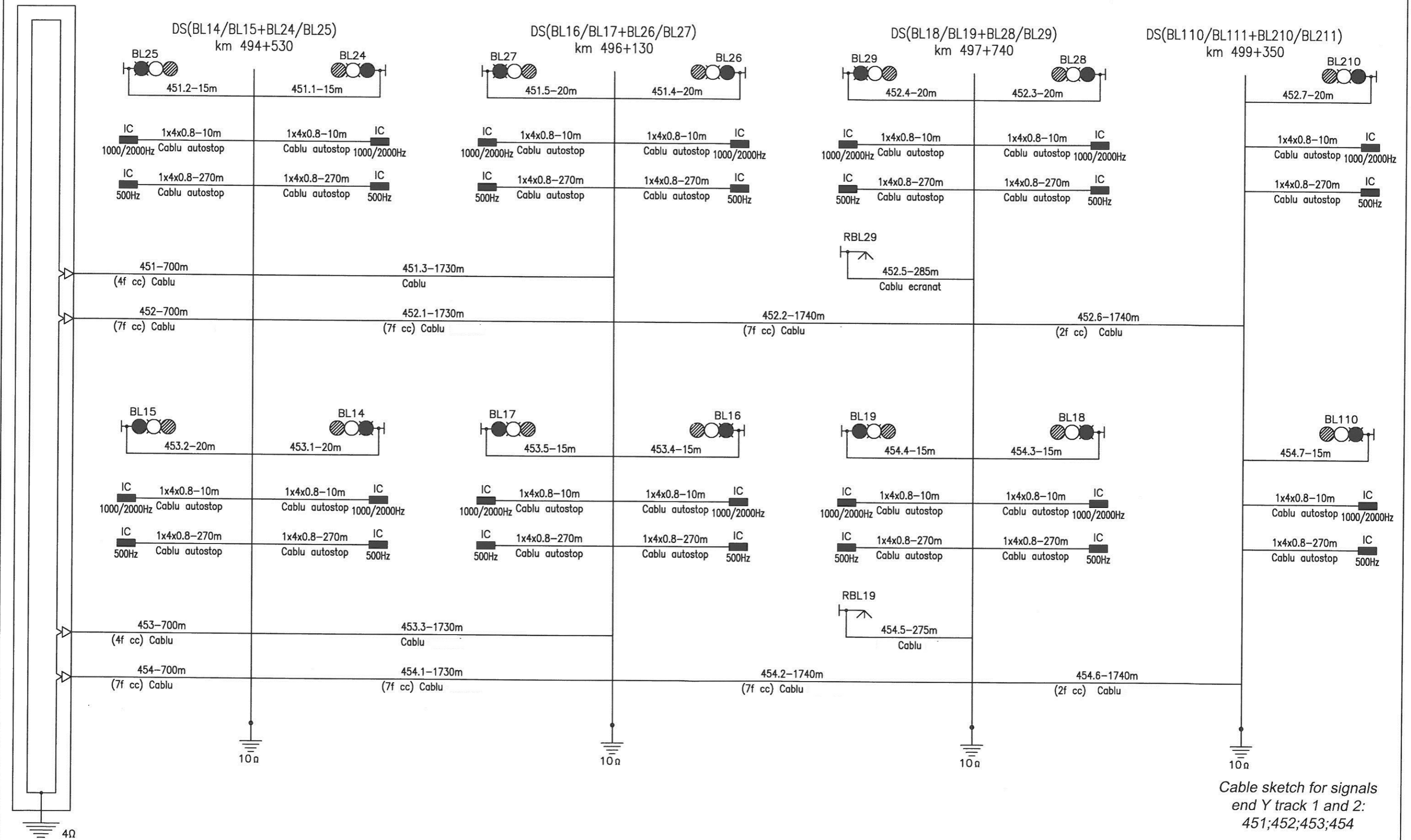
P.C.
Container CE
km 488+016



Cable sketch for signals
end Y track 1 and 2:
251;252;253;254;351;352
Plan de cablaj al semnalelor
cap Y firul 1 si 2:
251;252;253;254;351;352

MINTIA station
Statia MINTIA

Container
local
km 493+905



Cable sketch for signals
end Y track 1 and 2:
451;452;453;454

Plan de cablaj al semnalelor
cap Y firul 1 si 2:
451;452;453;454